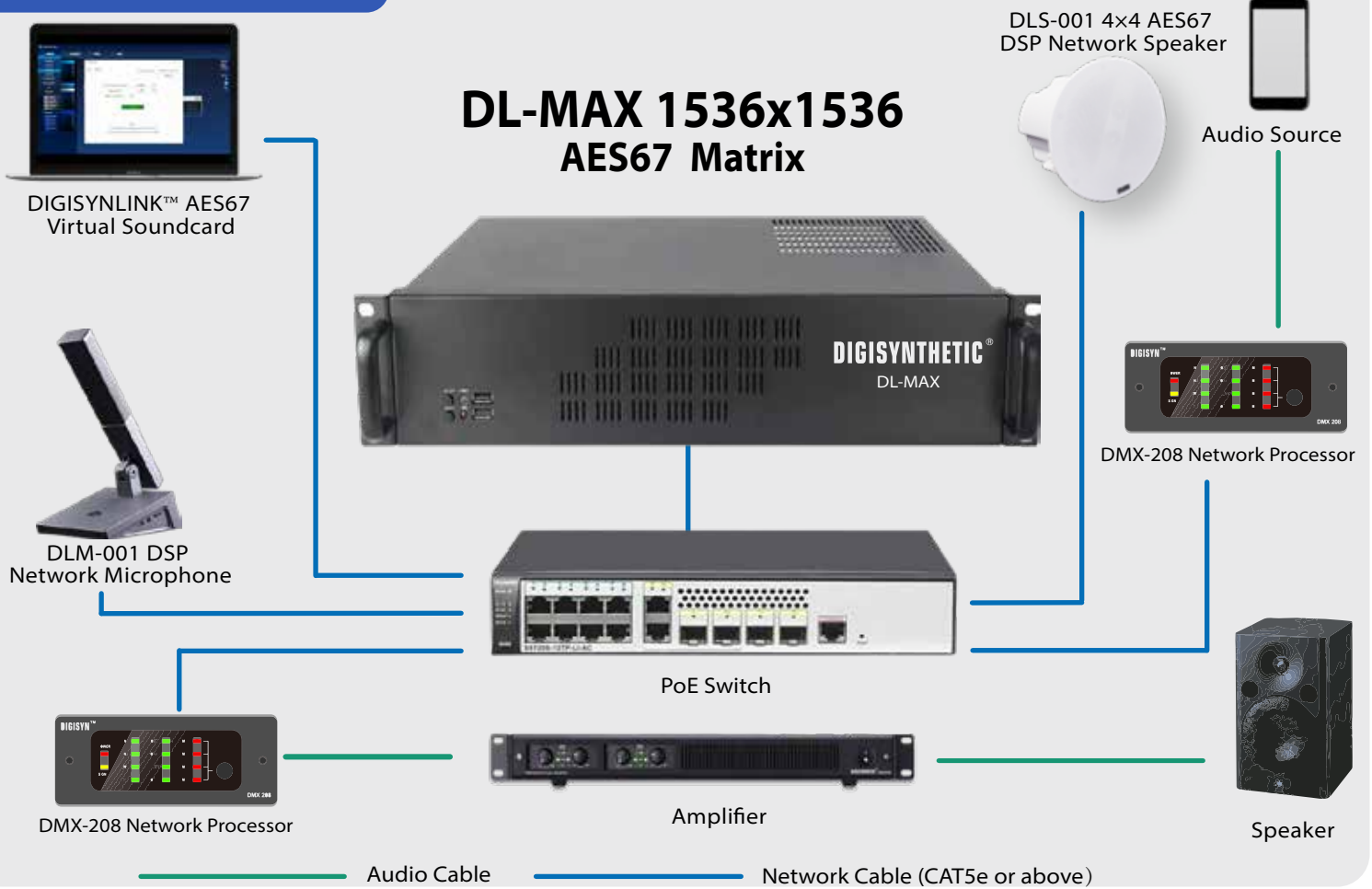




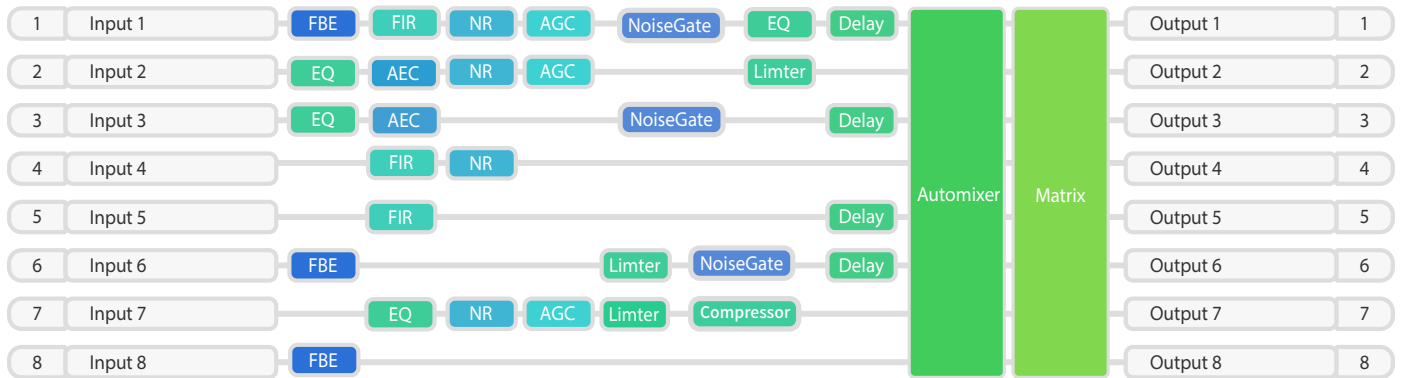
# DIGISYN LINK™ AES67

DSP everywhere

## Solution



## Customizable DSP



Ultra-low Latency



Lossless Signal



Up to 192kHz Sampling



AES67 Standard



ODM Customization

Digisynthetic is an innovator in professional audio, specializing in DSP and AoIP technologies. Our range of products includes AES67&DSP modules, audio processors/matrix, amplifiers, network microphones, and speakers.

## AES AES67 Productline



**DL-04/08/16/32  
AES67 Network Module**

2 to 32-channel, lossless transmission, ultra-low latency (<1ms). BTB / Mini-PCI connector. TDM, I<sup>2</sup>S format. DSP: AEC, NR, FBE, AGC, Automixer\*, Group\*, up to 32-band EQ, FIR, Delay, Compressor, Limiter, Noise Gate, etc.



Amplifier



Microphone



Mixer



Active Speakers



Processor



**DL-MAX  
Network Matrix**

Supports up to 1536x1536 AES67 channels at 48k/96k/192k, providing routing and mixing capabilities. Equipped with a 2.5G network card. ODM option: DSP functions, analog I/O, GPIO, and more.



Theme Park



Stadium



Cruise Ship



Campus



Train Station



**DMX-208(A)  
Network Processor**

8-ch Network DSP Matrix Processor with 4x4 analog and 4x4 network interfaces. 12V DC or PoE. Output channels feature 48V phantom power support. Built-in DL-08 module. Flexible customizable DSP for each channel. Expandable with multiple DMX208 units.



Conference



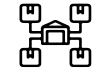
Network Interface



BGM System



Performances



Distributed System



**DLM-001  
Network DSP Microphone**

4-in 4-out configuration with DSP capabilities including AEC, AGC, NR, AFC, and more. Outputs separate signals for local sound reinforcement, remote meeting signal, noise reduction signal, and direct output of the original sound. Includes a headphone interface for receiving signals from the remote end.



Lecture Hall



Auditorium



Education



Remote Meetings



Local Meetings



**DLS-001  
Network Speaker**

4-in 4-out, PoE powered, 30W-60W@4Ω. Supports 802.af/at/bt standards. DSP: EQ, Delay, Limiter, FIR, Automixer\* (Gain sharing/gating), etc.



Remote Meetings



Local Meetings



BGM System



Education



**Digisyn AES67 Virtual Soundcard**

64x64 Windows Virtual Soundcard, WDM format. Supports sampling rates of 48kHz and 96kHz. Capable of sending AES67 multicast streams.



Remote Meetings



Local Meetings



Lecture Hall

\* Automixer and Group function will be Launched in mid-2024